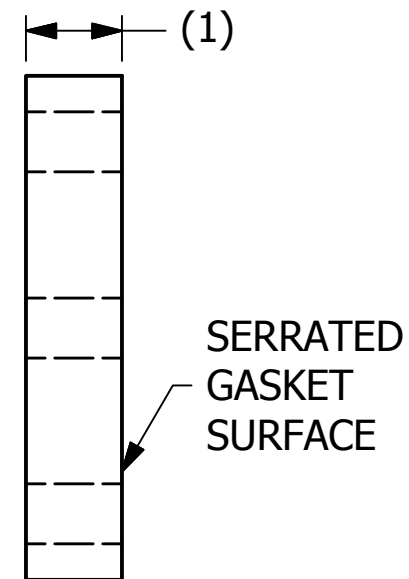
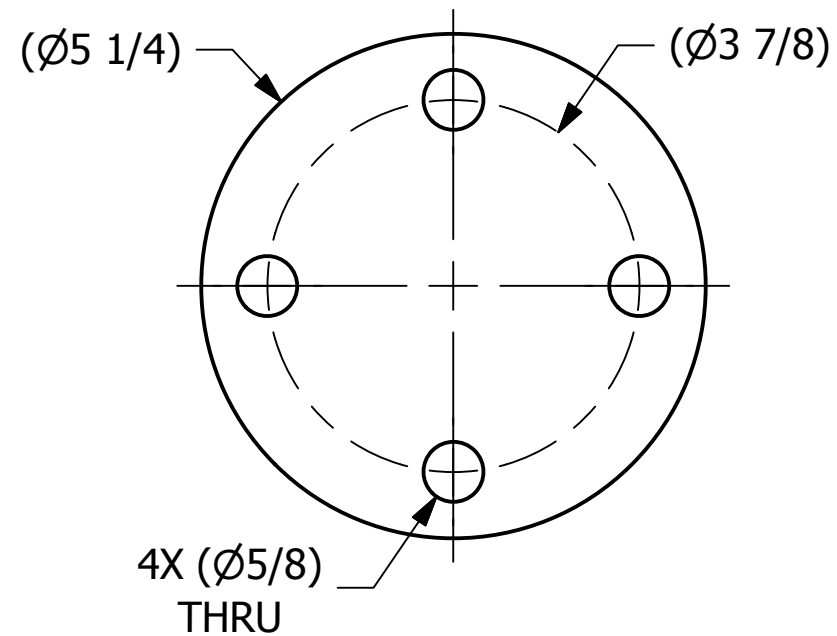


SALES DRAWING

SALES DRAWING



REV	BY	DATE	DESCRIPTION
C	TAK	8-22-18	ADDED PRESSURE ENGRAVING
B	WEB	1-23-18	UPDATED TITLEBLOCK, NOTES
A	BG	12/11/12	NEW PART ADDED TO THE NETWORK

<small>UNLESS OTHERWISE SPECIFIED DIMENSIONAL TOLERANCES</small> FRACTIONAL: ±1/16 X.XX: ±.03 X.XXX: ±.015 ANGULAR: ±1° <small>DEBURR ALL SHARP EDGES. ALL MACHINED SURFACES TO HAVE A 125 RMS FINISH UNLESS NOTED OTHERWISE.</small>	DRAWN BY:	WRB
	CHECKED BY:	VD
	PROTOTYPE BY:	WRB
	PROTOTYPE DATE:	8/18/2011
	APPROVED FOR PRODUCTION BY:	VD
THIRD ANGLE PROJECTION	PRODUCTION DATE:	12/11/2012

<b>SALCO PRODUCTS, INC.</b>		
PART NAME: <b>BLIND FLANGE 1 1/2" 150 LB</b>		
MATERIAL: <b>SALCO PE</b>		
PROJECT #: <b>100821</b>	SHEET #: <b>1 OF 1</b>	SCALE: <b>1:1</b>
DRAWING #: <b>B31351</b>	PART #: <b>HS15150BFP</b>	

THIS PRINT, PROPERTY OF SALCO PRODUCTS INC., CONTAINS PROPRIETARY INFORMATION AND MUST NOT BE COPIED, REPRODUCED, OR USED DETRIMENTALLY TO OUR INTEREST.